

EMC118A45SE

Low Noise Preamplifier

- 1GHz - 18GHz Frequency Range
- Compensation Long Cable Loss For EMI Measurement
- Improve System Noise Floor Flatness
- High EMI Performance
- High Linearity LNA For EMI Measurement
- High Dynamic range
- Unconditionally Stable
- State-of-the-Art Technology



Sales Partner:



ABSOLUTE EMC Lic.
Covering sales in North America
United States, Mexico, & Canada

absolute-emc.com
Phone:703-774-7505
info@absolute-emc.com

Specifications

Frequency Range	1GHz - 18GHz
Noise Figure	3.5 - 8 dB max
Gain	32 dB min @ 1 GHz and 45 dB min @ 18 GHz
Gain Flatness	1 - 6 GHz @ 36 dB @ +/- 3dB 6 - 12 GHz @ 40 dB @ +/- 3dB 12 - 18 GHz @ 45 dB @ +/- 3dB
P1dB Compression Point	+20 dBm min
Input VSWR / Output VSWR	2.8 : 1 / 2.8 : 1
Max RF input power	-15 dBm @ 1 GHz max ~ -25 dBm @ 18 GHz max
Power Requirements	120 Vac or 240 Vac
In / Out Connectors	50 ohm, SMA Female
Size (mm * mm * mm)	145 * 75 * 66 (158) 217 * 254 * 100
Net Weight	0.628 kg (0.87 kg) / 3 kg

**Built AC input main power
grounding detect circuit**

	R	Y	Y
OPEN	○	●	○
GROUND	○	●	○
OPEN	○	○	●
NEUTRAL	○	○	●
OPEN LINE	○	○	○
LINE/GRD. REVERSE	●	○	●
LINE/NEU. REVERSE	●	●	○
CORRECT	○	●	●
CONTACT SERVICE	●	●	●

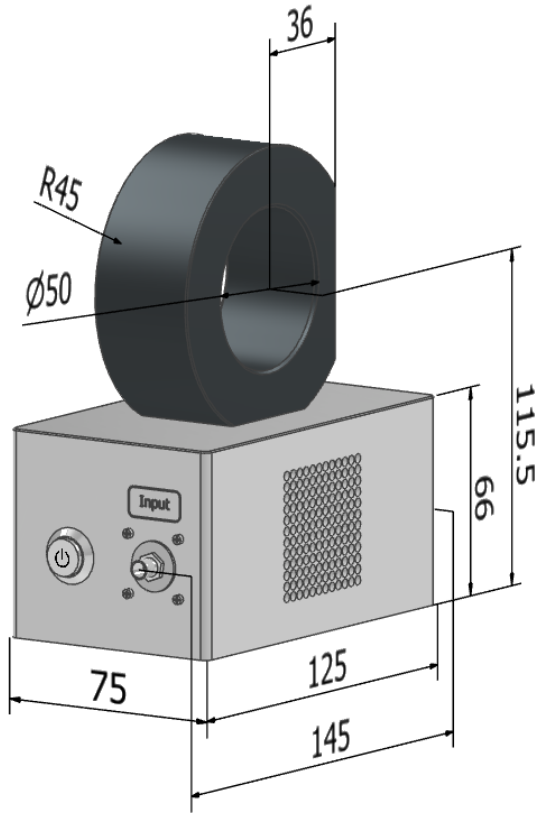


Sales Partner:



ABSOLUTE EMC Lic.
Covering sales in North America
United States, Mexico, & Canada

absolute-emc.com
Phone: 703-774-7505
info@absolute-emc.com

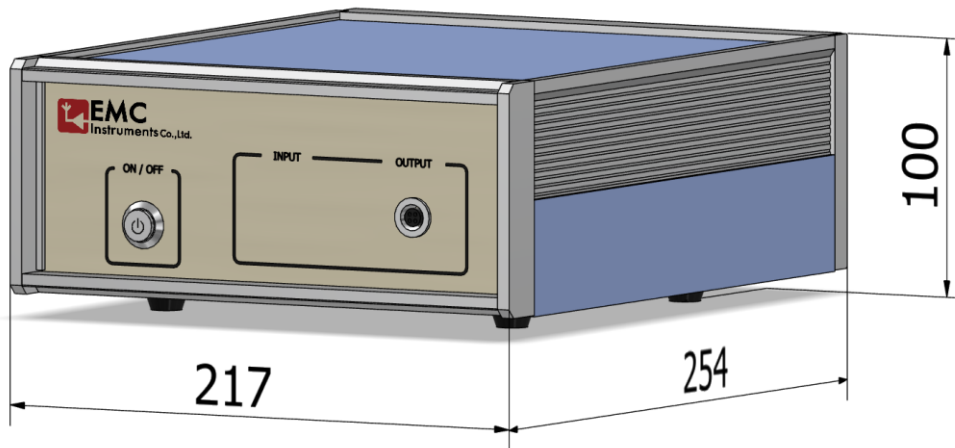


Preamplifier



Length: 6 m

Cable



DC Power Supply

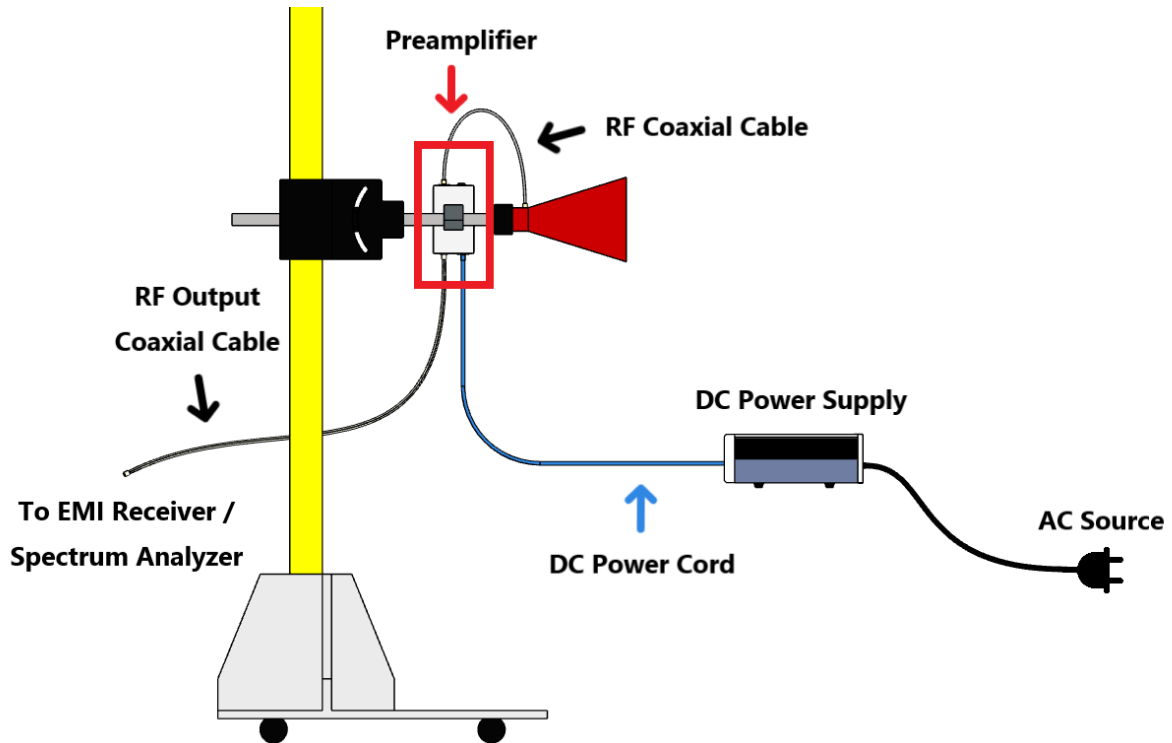
Sales Partner:



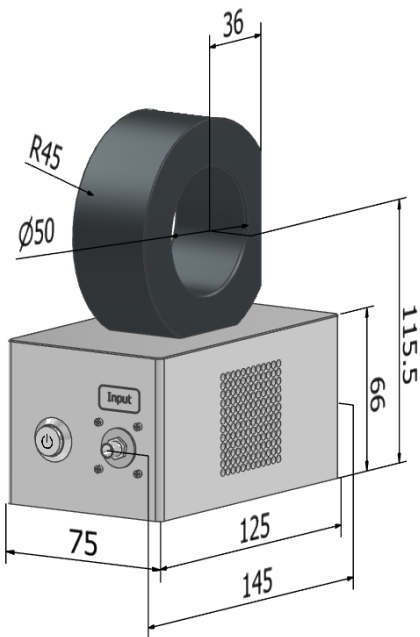
ABSOLUTE EMC Lic.
Covering sales in North America
United States, Mexico, & Canada

absolute-emc.com
Phone:703-774-7505
info@absolute-emc.com

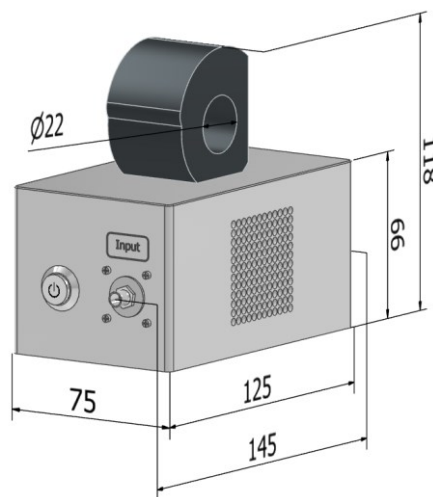
Set Up Figure



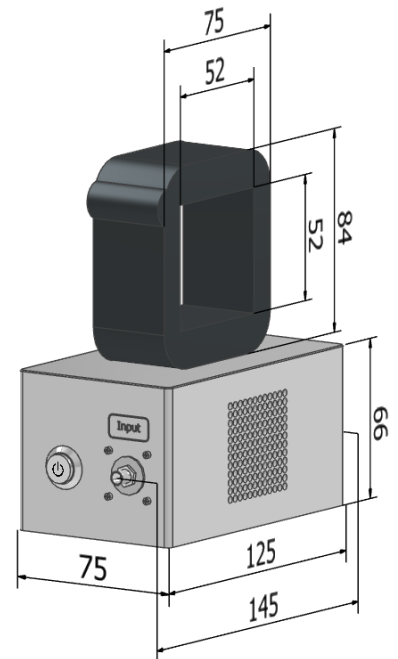
Ordering Information



EMC118A45SE - 01



EMC118A45SE - 02



EMC118A45SE - 03

Sales Partner:



ABSOLUTE EMC Llc.
Covering sales in North America
United States, Mexico, & Canada

absolute-emc.com
Phone:703-774-7505
info@absolute-emc.com

Data Sheet

Sales Partner:



ABSOLUTE EMC Ltd.
Covering sales in North America
United States, Mexico, & Canada

absolute-emc.com
Phone: 703-774-7505
info@absolute-emc.com

